

Punches Stanzen

130° upwards cutting

15-101
1 mm



KERRISON - JACOBY

FERRIS-SMITH-KERRISON

15-102
2 mm



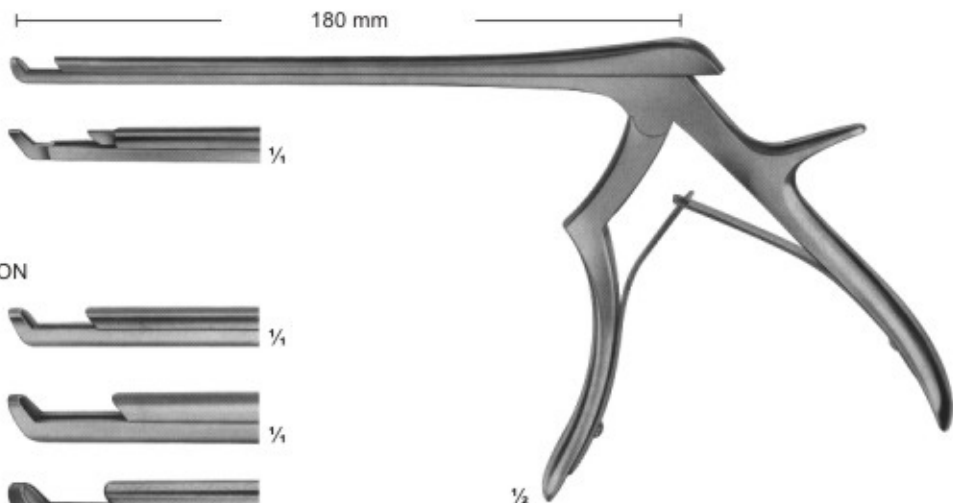
15-103
3 mm



15-104
4 mm



15-105
5 mm



15-101 - 105

90° upwards cutting

KERRISON - JACOBY

15-106
1 mm



15-107
2 mm



FERRIS-SMITH-KERRISON

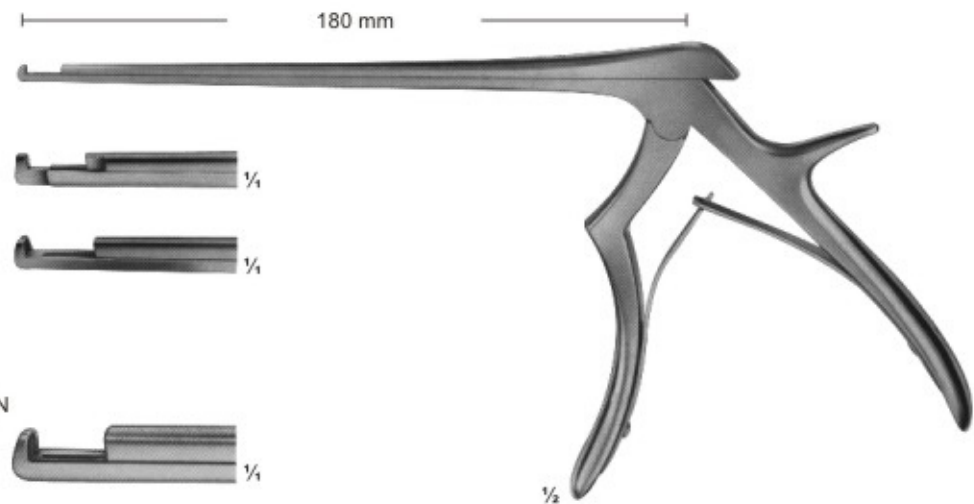
15-108
3 mm



15-109
4 mm

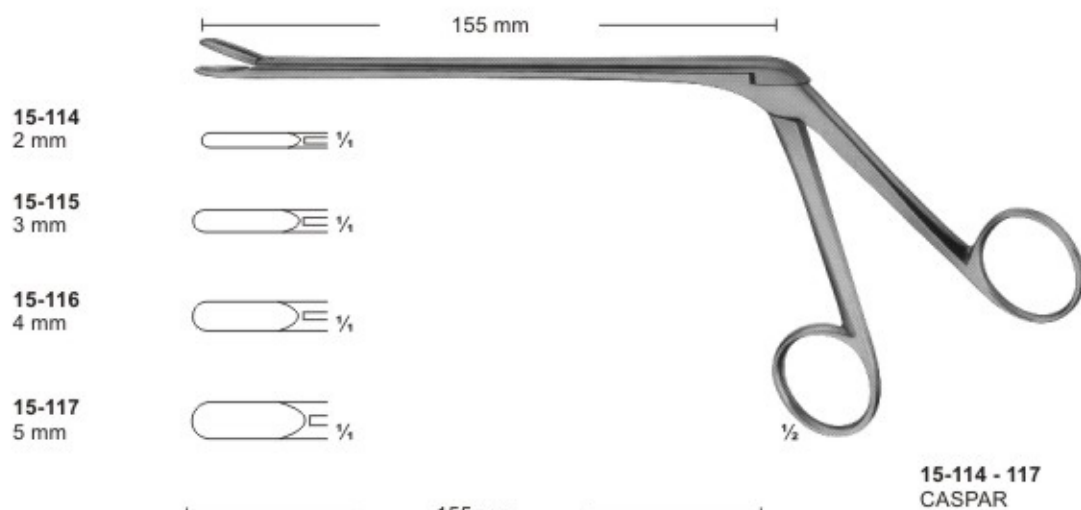
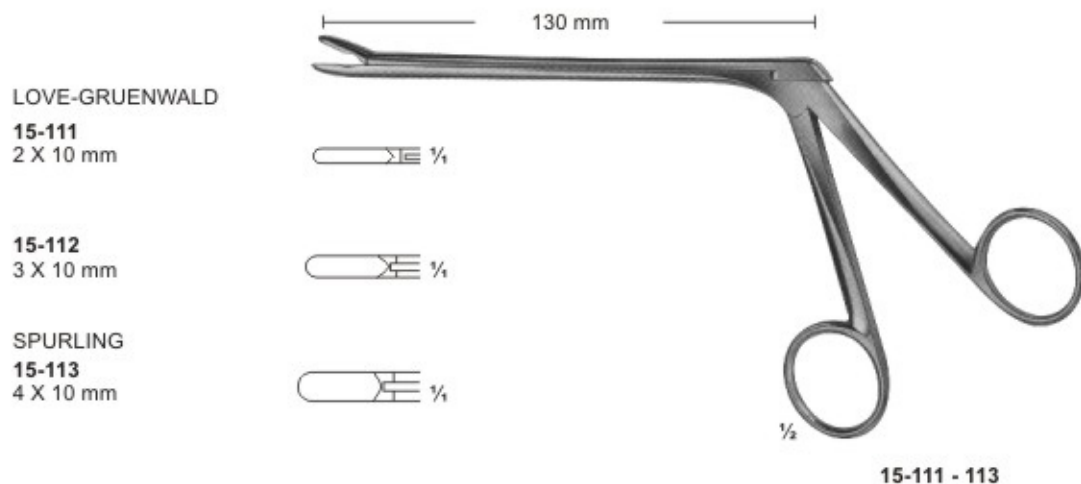


15-110
5 mm



15-106 - 110

Rongeurs Rongeuere



150°

