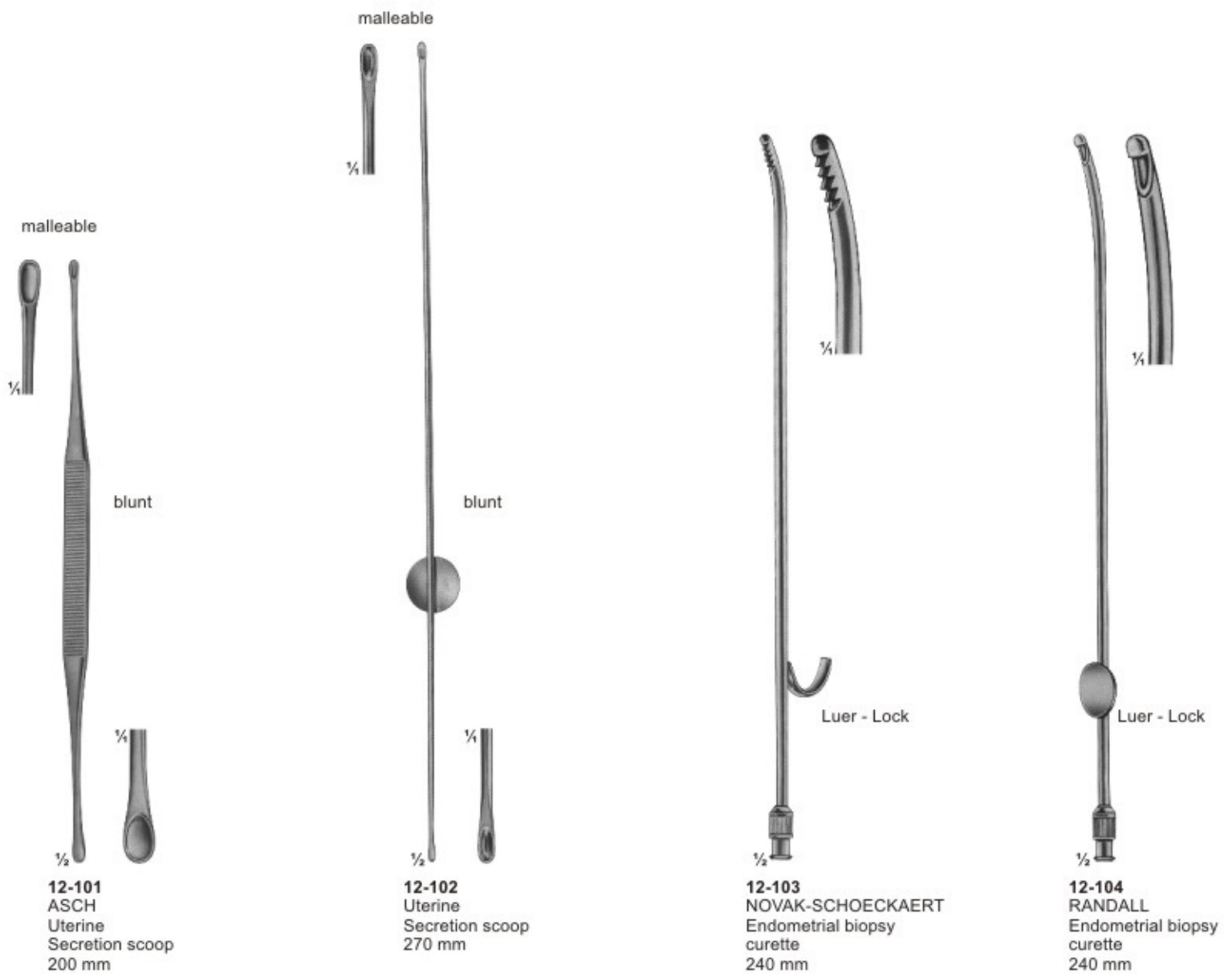
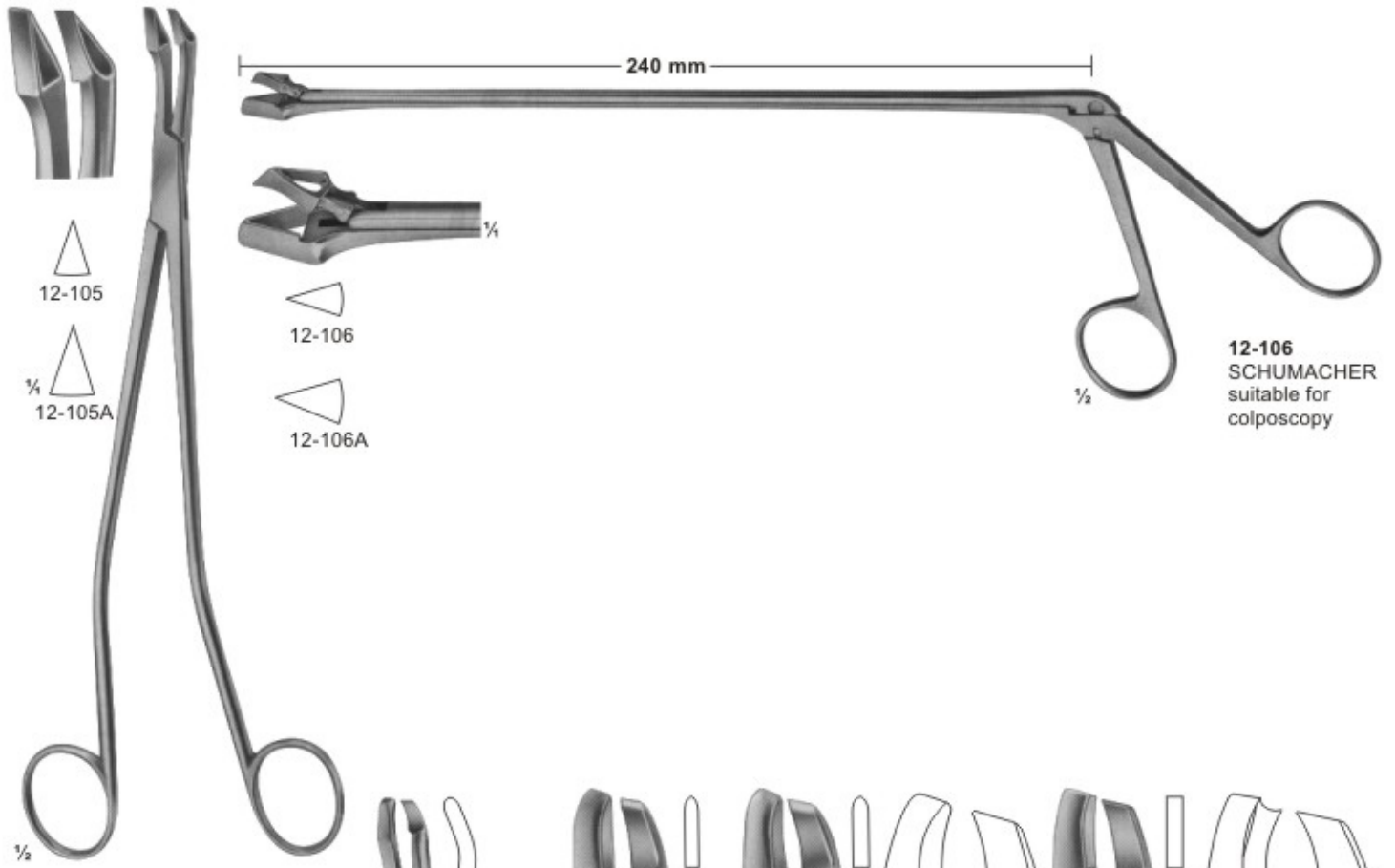


Biopsy Curettes

Biopsiekuretten



Biopsy Forceps Biopsiezangen



12-105

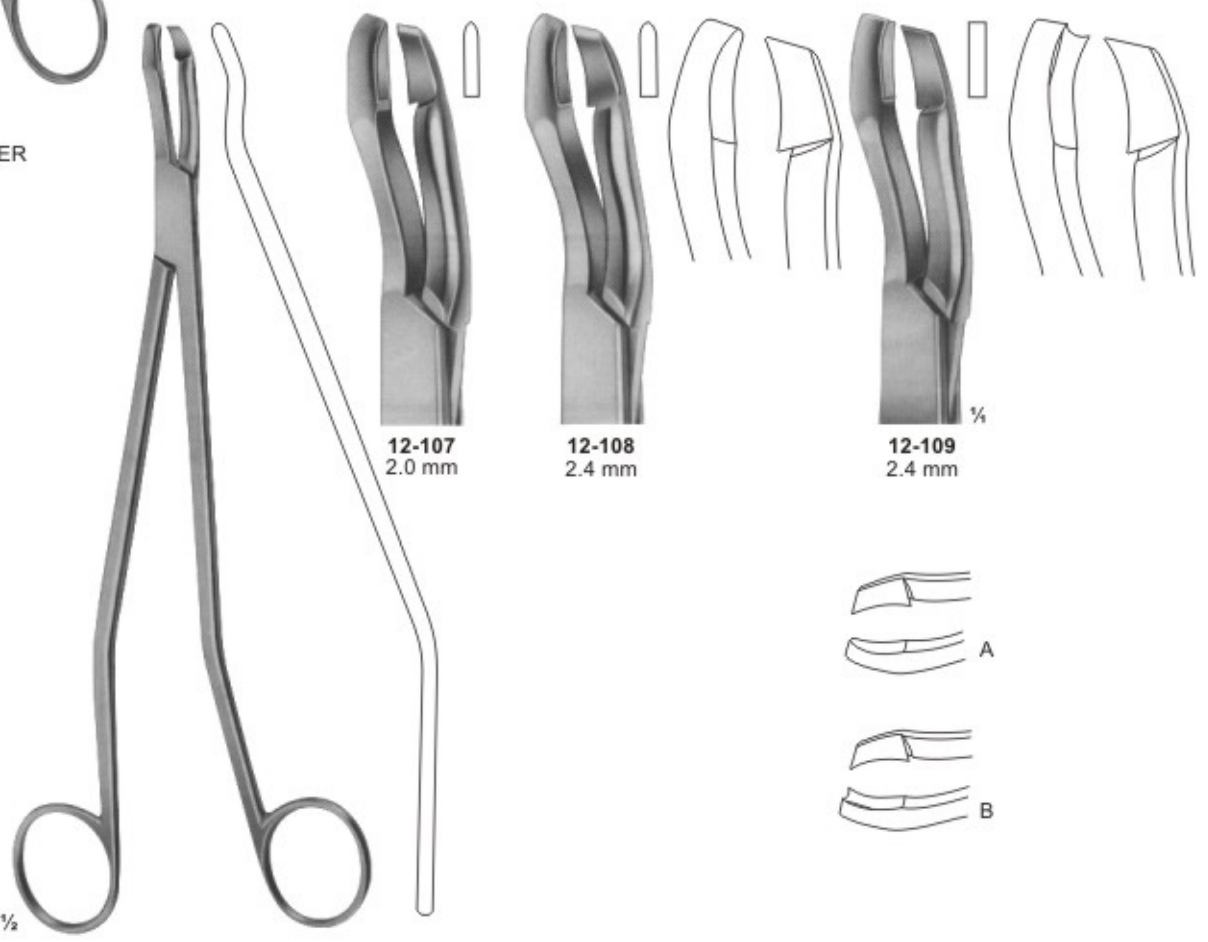
12-105A

12-106

12-106A

12-106
SCHUMACHER
suitable for
colposcopy

12-105
SCHUMACHER
240mm



12-107
2.0 mm

12-108
2.4 mm

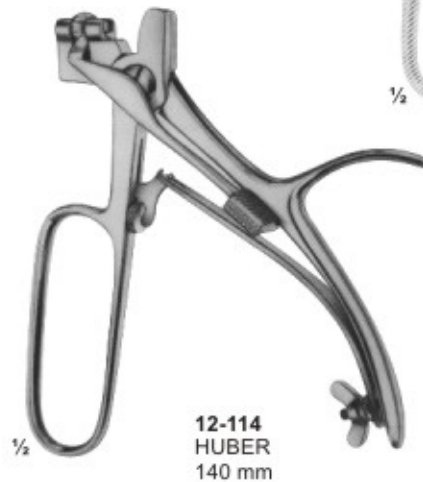
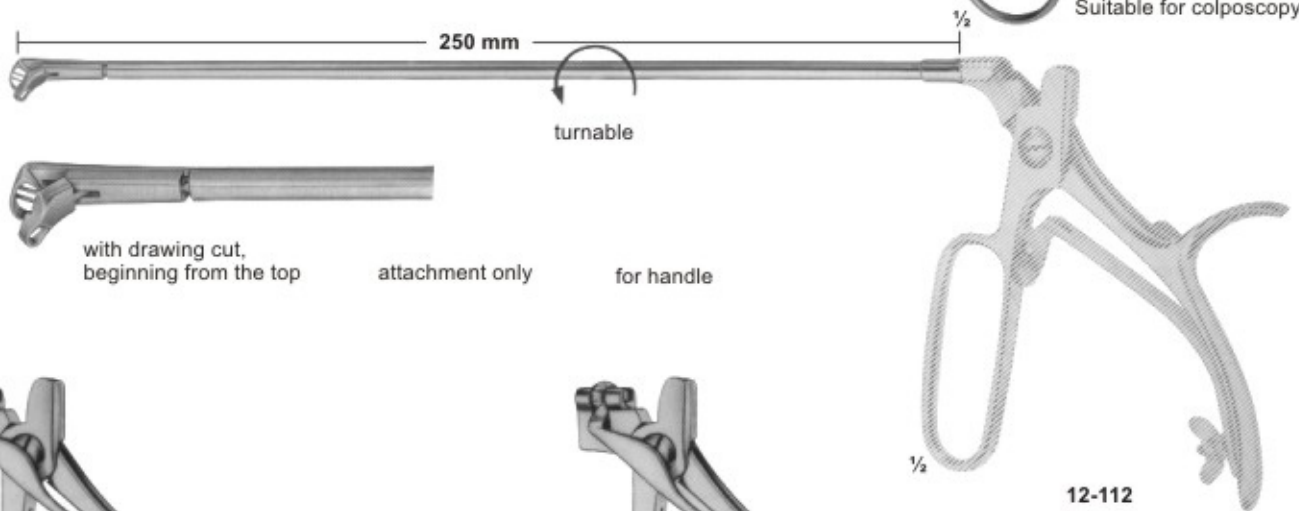
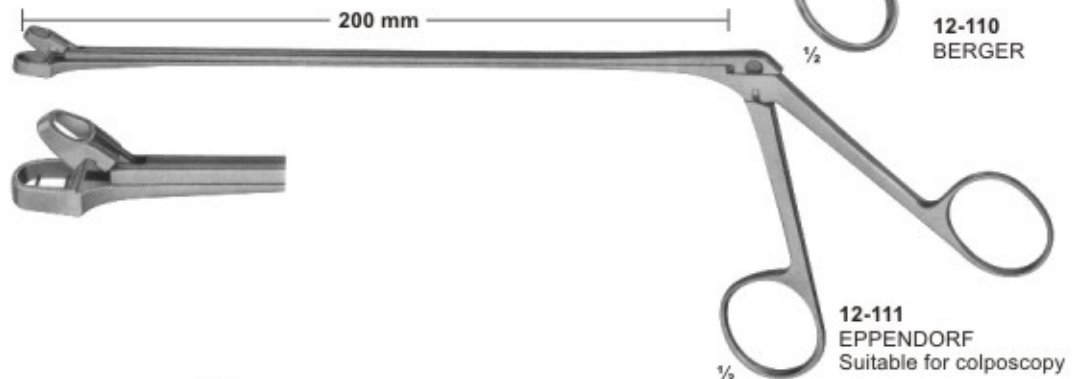
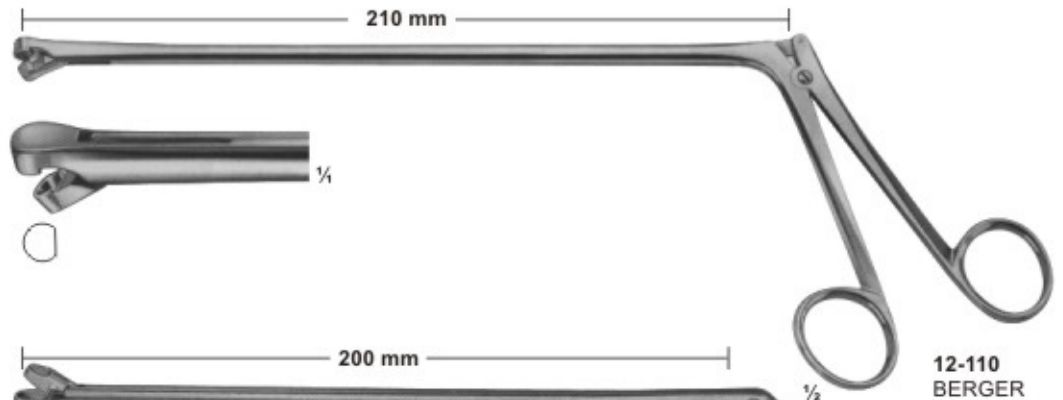
12-109
2.4 mm

A

B

12-107 - 109
SEIDL DBP
Biopsy forceps, bayonet shaped
for portio, vagina and vulva
240mm

Biopsy Forceps Biopsiezangen



12-115 BRUENINGS 200 mm Length
12-116 BRUENINGS 250 mm Length



⊕ ⊕
12-117 KRAUSE (Biopsy tip)



⊕
12-118 SCHEINMANN (Biopsy tip)



△
12-119 SCHUMACHER (Biopsy tip)
with drawing cut

Uterine Scoops Uterusloffel

